

## Cable gland - HC-M-KV-Z-M32 - 1646162

Please be informed that the data shown in this PDF Document is generated from our Online Catalog. Please find the complete data in the user's documentation. Our General Terms of Use for Downloads are valid (<http://phoenixcontact.com/download>)



Metal screw connection with strain relief clamp, thread length: 8 mm, cable sealing area: 18 - 27 mm, clamping area: 19 - 30 mm, SW 40, screw connection: M32



### Key Commercial Data

Packing unit	1 pc
GTIN	 4 017918 941307
GTIN	4017918941307
Weight per Piece (excluding packing)	154.540 g
Custom tariff number	74153300
Country of origin	Germany

### Technical data

#### Dimensions

Length	43 mm
Length without connecting thread	35 mm
Connecting thread diameter	32 mm
Wrench size, union nut	42 mm
Wrench size, support	40 mm
Hexagon angular dimension	47 mm
Length of the connecting thread	8 mm
External cable diameter	18 mm ... 27 mm
Clamping range of the strain relief clip	19.00 mm ... 27.00 mm

#### Ambient conditions

Degree of protection (IP)	IP65
---------------------------	------

# Cable gland - HC-M-KV-Z-M32 - 1646162

## Technical data

### Ambient conditions

Ambient temperature (operation)	-20 °C ... 80 °C (static)
---------------------------------	---------------------------

### General

No. of conductors	1
Cable gland material	Nickel-plated brass
Cable seal material	Perbunan
O-ring material	NBR
Shielded	no
Thread type on connection side	M32 x 1.5
Torque	18 Nm (Support sleeve) 12 Nm (Union nut)
Color	silver

### Standards and Regulations

Halogen-free	no
--------------	----

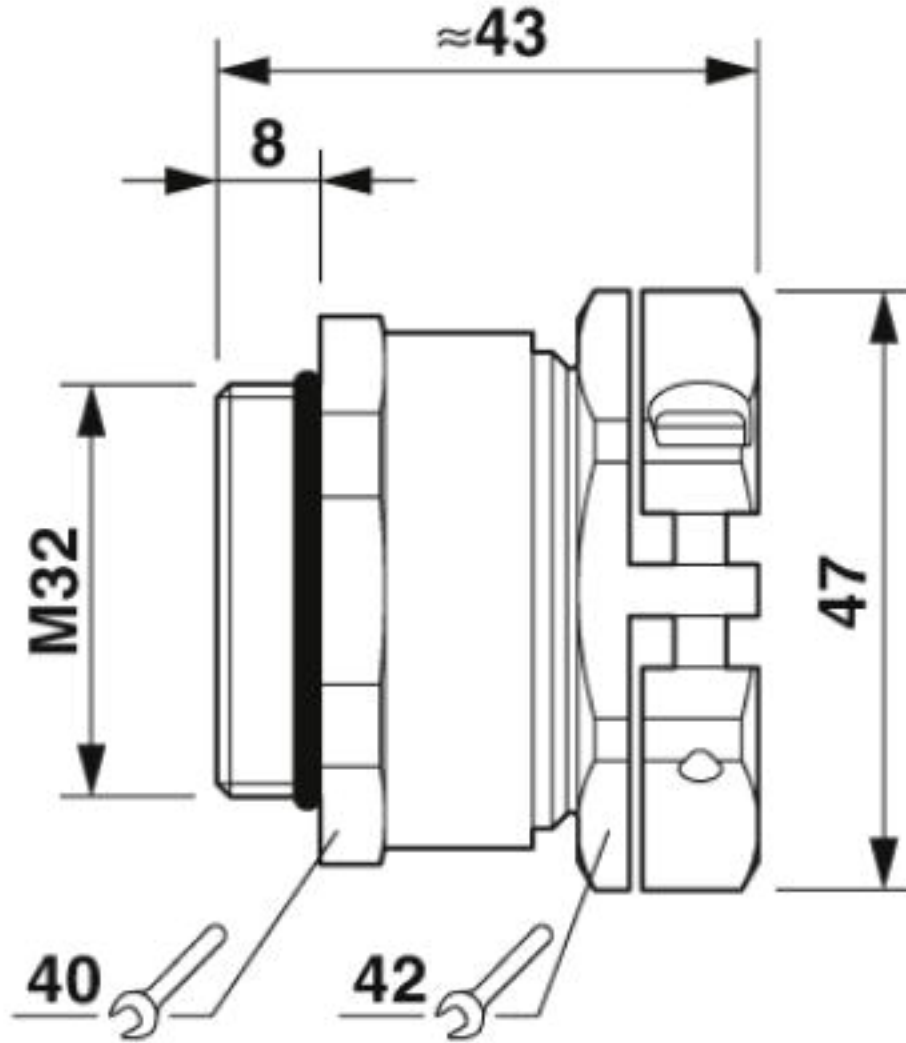
### Environmental Product Compliance

	Lead 7439-92-1
China RoHS	Environmentally Friendly Use Period = 50
	For details about hazardous substances go to tab "Downloads", Category "Manufacturer's declaration"

## Drawings

# Cable gland - HC-M-KV-Z-M32 - 1646162

Dimensional drawing



Dimensional drawing

## Classifications

eCl@ss

eCl@ss 4.0	27141200
eCl@ss 4.1	27141200
eCl@ss 5.0	27149100
eCl@ss 5.1	27149100
eCl@ss 6.0	27149100

## Cable gland - HC-M-KV-Z-M32 - 1646162

### Classifications

#### eCl@ss

eCl@ss 7.0	27149109
eCl@ss 8.0	27149109
eCl@ss 9.0	27144432

#### ETIM

ETIM 2.0	EC000441
ETIM 3.0	EC000441
ETIM 4.0	EC000441
ETIM 5.0	EC000441
ETIM 6.0	EC000441
ETIM 7.0	EC000441

#### UNSPSC

UNSPSC 6.01	30211808
UNSPSC 7.0901	39121408
UNSPSC 11	39121408
UNSPSC 12.01	39121408
UNSPSC 13.2	39121311